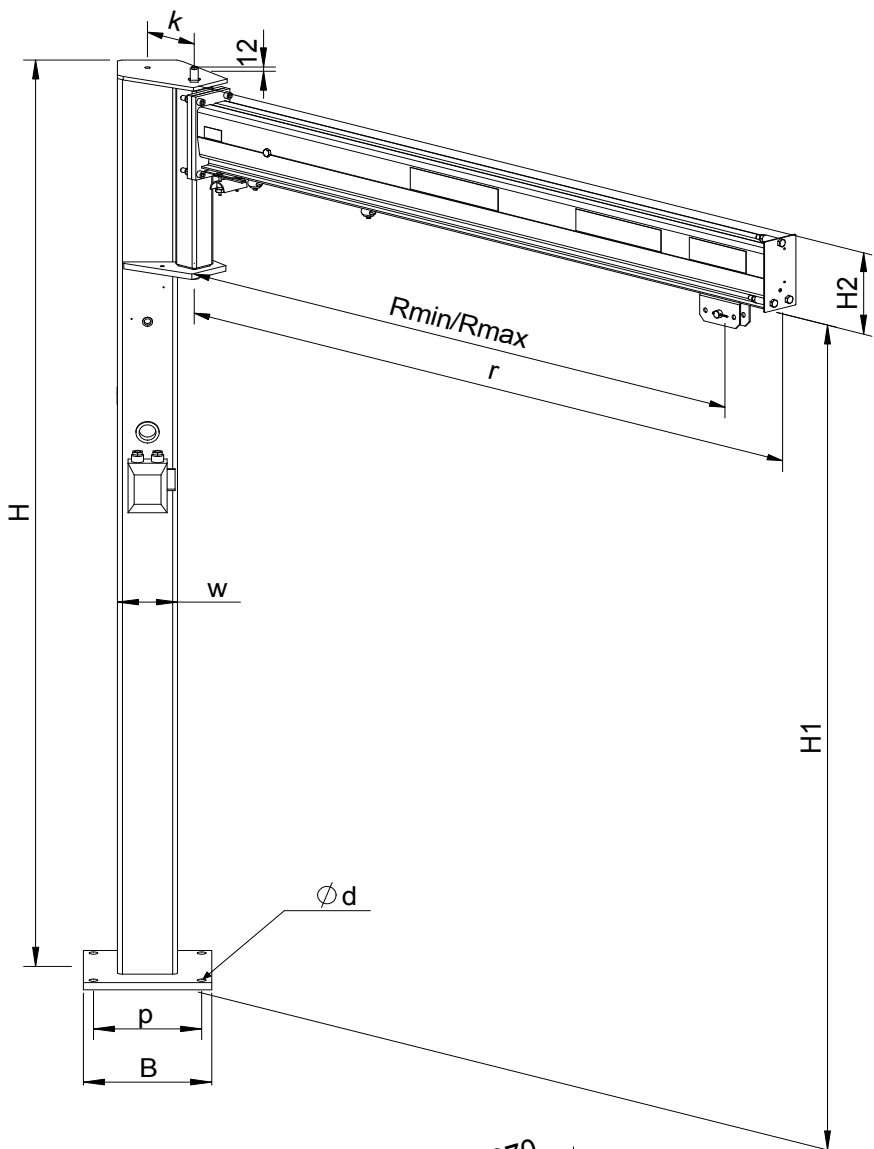
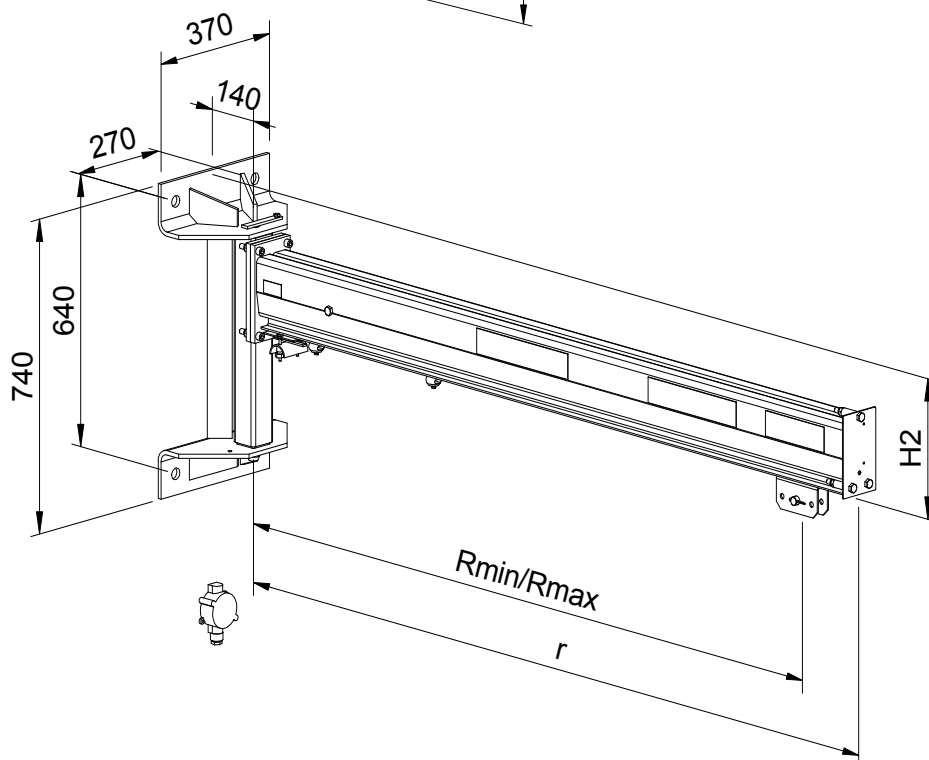
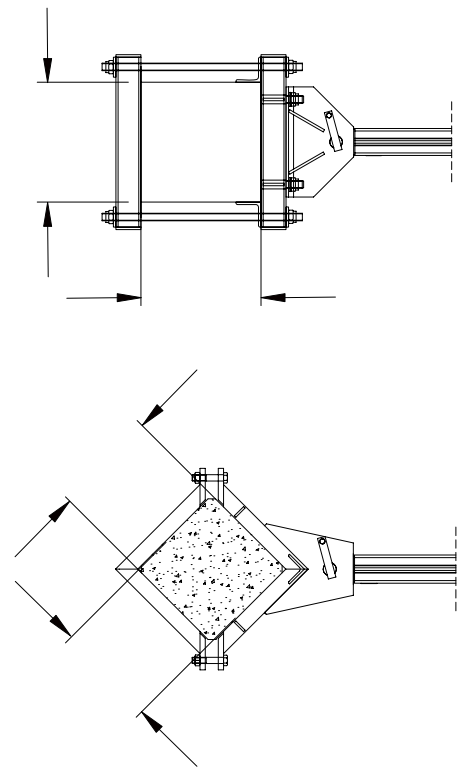


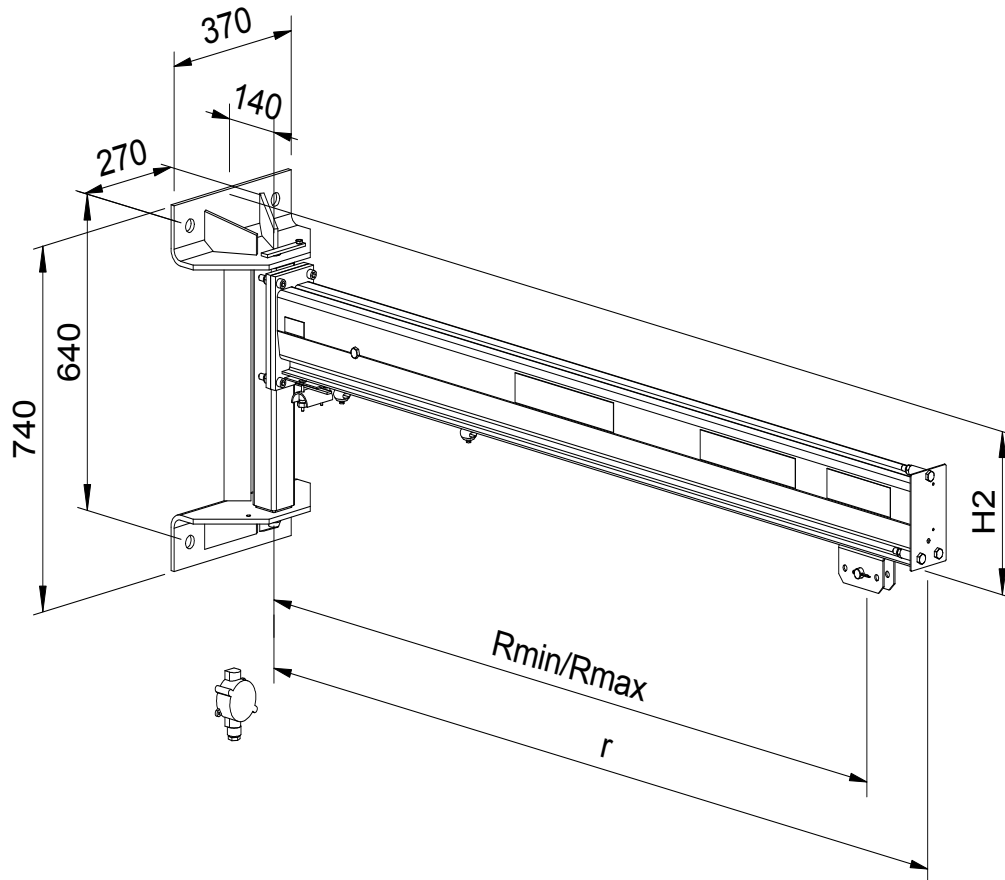
# PROSYSTEM® Little-John Wall and Column Mounted Jib Cranes



Collar suspension also available.  
Please ask for price.



# PROSYSTEM® Little-John Wall Mounted Jib Cranes



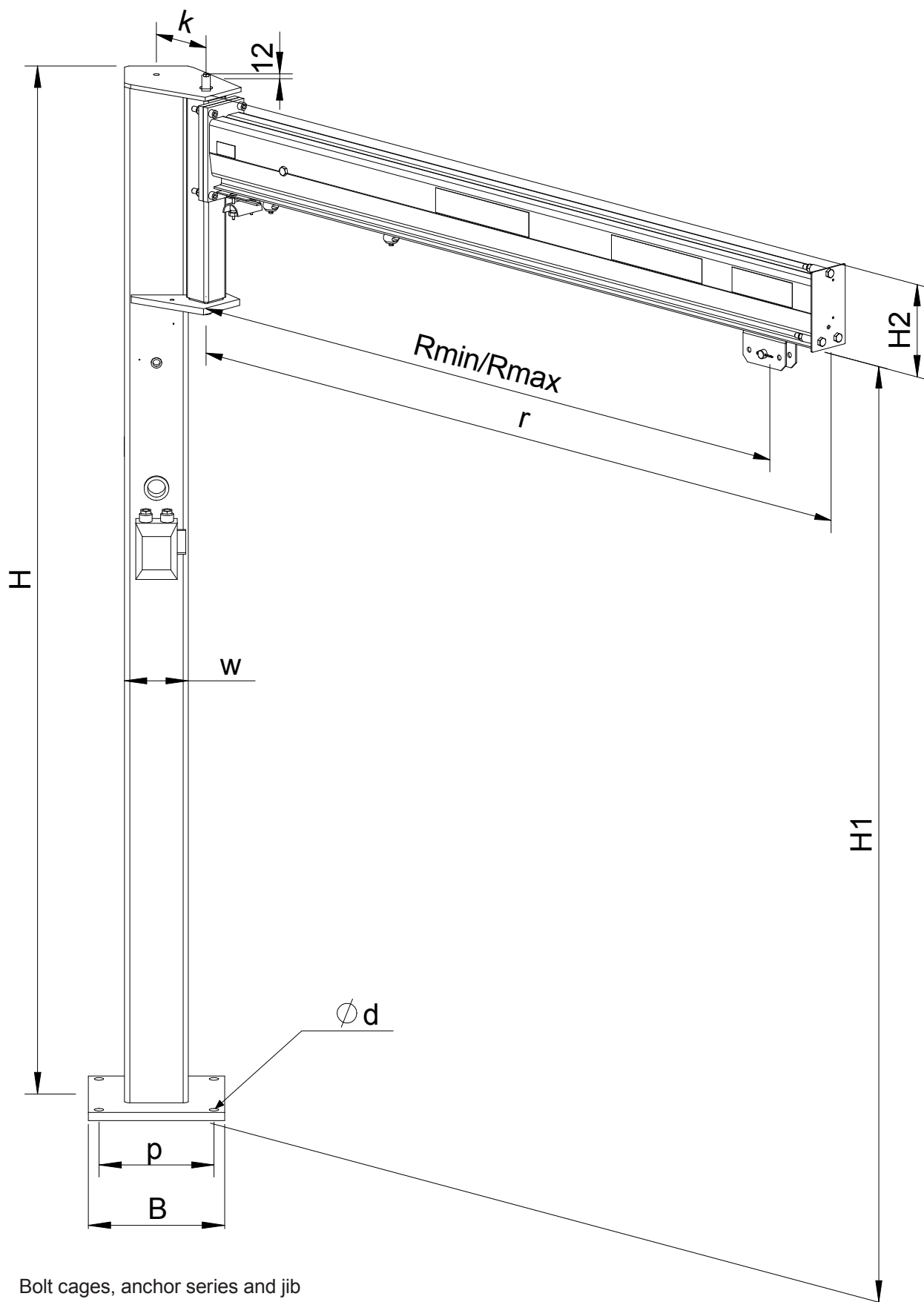
## 30-50-80-125-250 kg Without power supply

Product number	Outreach (m)	Load (kg)	Profile	Rmax (mm)	Rmin (mm)	r (mm)	H2 (mm)	Weight (kg)	Weight of console (kg)	Total weight (kg)	Bending (mm)	EUR	
5030091	1	30	125	980	150	1073	285	21	23	44	1	927	
5050091		50	125	980	150	1073	285	21	23	44	1		
5080091		80	125	980	250	1073	285	21	23	44	1		
5125121		125	125	980	250	1073	285	23	23	46	1		
5250121		250	125	980	250	1073	285	23	23	46	2		
5030092	2	30	125	1980	150	2073	285	28	23	51	2	965	
5050092		50	125	1980	150	2073	285	28	23	51	4		
5080122		80	125	1980	290	2073	285	31	23	54	6		
5125122		125	125	1980	290	2073	285	31	23	54	7		
5250172		250	200	1973	320	2077	330	42	23	65	4		1027
5030123	3	30	125	2980	150	3073	285	39	23	62	7	1003	
5050123		50	125	2980	150	3073	285	39	23	62	11		
5080173		80	200	2980	340	3073	330	67	23	90	5		1099
5125173		125	200	2973	380	3077	330	67	23	90	7		1111
5250173		250	200	2973	380	3077	330	67	23	90	13		1131

## Flat cable power supply

Product number	EUR
WJE5021	51
WJE5021	
WJE5021	
WJE5021	
WJE5021	
WJE5022	57
WJE5022	
WJE5022	
WJE5102	58
WJE5023	64
WJE5023	
WJE5103	
WJE5103	

# PROSYSTEM<sup>®</sup> Little-John Column Mounted Jib Cranes



Bolt cages, anchor series and jib crane suspension, see pages 30-31.

# PROSYSTEM® Little-John Column Mounted Jib Cranes

## 30 kg Without power supply

Product number	R (m)	Rmax (mm)	Rmin (mm)	H1 (mm)	H (mm)	H2 (mm)	r (mm)	k (mm)	w (mm)	Deflection (mm)	Profile	Base plate (mm)	Weight (kg)	EUR
603009120	1	980	370	1827	2007	180	1073	165	150	1	125	B320x320 p270x270 4x22	89	1242
603009125				2327	2507	180				1			100	1269
603009130				2827	3007	180				1			112	1295
603009135				3327	3507	180				1			123	1322
603009220	2	1980	420	1827	2007	180	2073	165	150	3	125	B320x320 p270x270 4x22	96	1280
603009225				2327	2507	180				4			107	1306
603009230				2827	3007	180				4			119	1333
603009235				3327	3507	180				5			130	1360
603012320	3	2980	470	1827	2007	180	3073	165	150	10	125	B320x320 p270x270 4x22	107	1318
603012325				2327	2507	180				10			118	1344
603012330				2827	3007	180				11			130	1371
603012335				3327	3507	180				11			141	1397

## Flat cable power supply

Product number	EUR
CJE6021	72
CJE6022	80
CJE6023	89

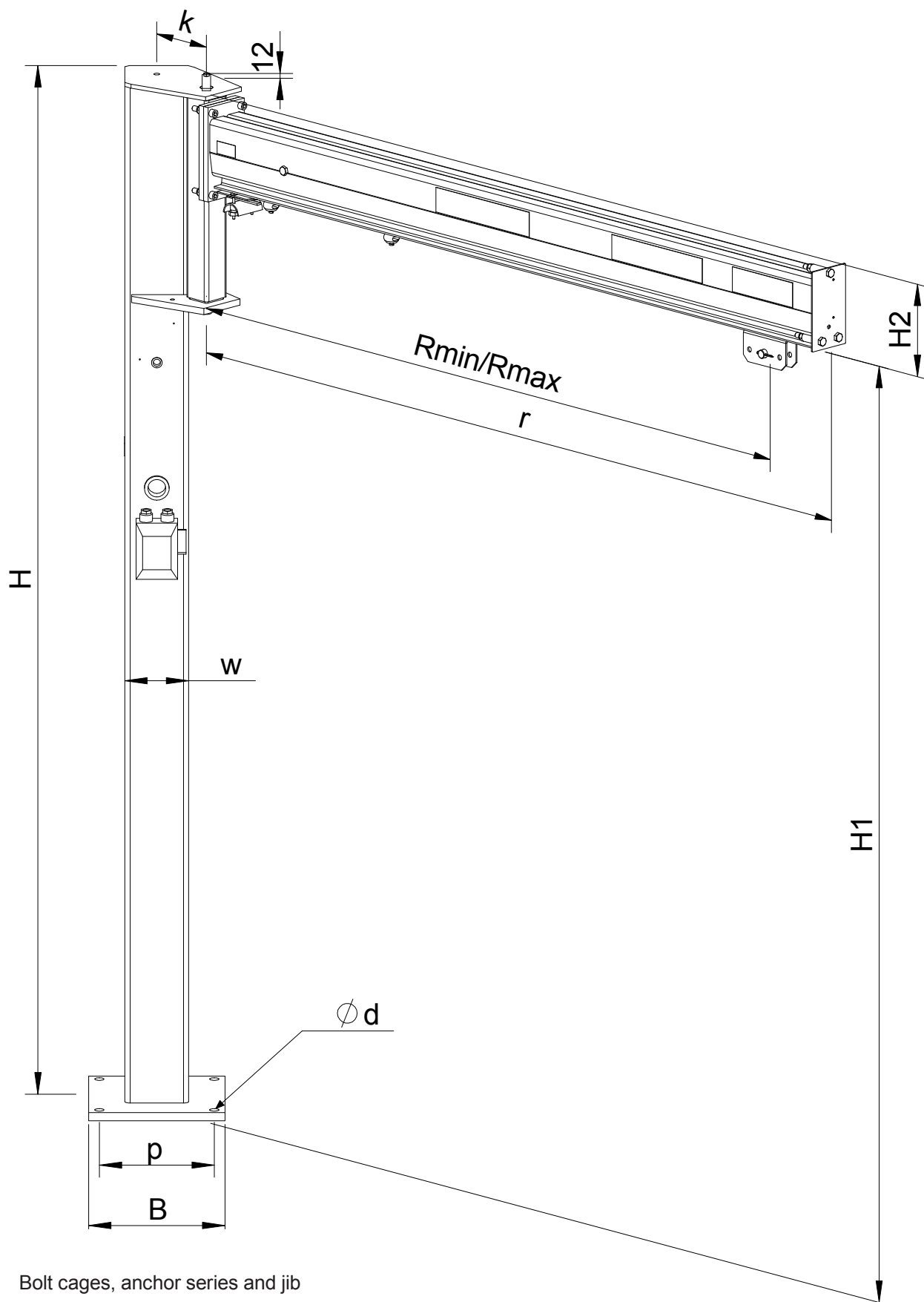
## 50 kg Without power supply

Product number	R (m)	Rmax (mm)	Rmin (mm)	H1 (mm)	H (mm)	H2 (mm)	r (mm)	k (mm)	w (mm)	Deflection (mm)	Profile	Base plate (mm)	Weight (kg)	EUR
605009120	1	980	370	1827	2007	180	1073	165	150	1	125	B320x320 p270x270 4x22	89	1242
605009125				2327	2507	180				1			100	1269
605009130				2827	3007	180				2			112	1295
605009135				3327	3507	180				2			123	1322
605009220	2	1980	420	1827	2007	180	2073	165	150	6	125	B320x320 p270x270 4x22	96	1280
605009225				2327	2507	180				7			107	1306
605009230				2827	3007	180				7			119	1333
605009235				3327	3507	180				8			130	1360
605012320	3	2980	470	1827	2007	180	3073	165	150	16	125	B320x320 p270x270 4x22	107	1318
605012325				2327	2507	180				17			118	1344
605012330				2827	3007	180				18			130	1371
605012335				3327	3507	180				19			141	1397

## Flat cable power supply

Product number	EUR
CJE6021	72
CJE6022	80
CJE6023	89

# PROSYSTEM® Little-John Column Mounted Jib Cranes



Bolt cages, anchor series and jib crane suspension, see pages 30-31.

# PROSYSTEM® Little-John Column Mounted Jib Cranes

**80 kg**  
**Without power supply**

Product number	R (m)	Rmax (mm)	Rmin (mm)	H1 (mm)	H (mm)	H2 (mm)	r (mm)	k (mm)	w (mm)	Deflection (mm)	Profile (mm)	Base plate (mm)	Weight (kg)	EUR
608009120	1	980	370	1827	2007	180	1073	165	150	1	125	B320x320 p270x270 4x22	89	1242
608009125				2327	2507	180				1			100	1269
608009130				2827	3007	180				2			112	1295
608009135				3327	3507	180				2			123	1322
608012220	2	1980	420	1827	2007	180	2073	165	150	8	125	B320x320 p270x270 4x22	99	1280
608012225				2327	2507	180				9			110	1306
608012230				2827	3007	180				10			122	1333
608012235				3327	3507	180				11			133	1360
608017320	3	2973	470	1782	2007	225	3077	165	150	12	200	B320x320 p270x270 4x22	135	1414
608017325				2282	2507	225				14			146	1440
608017330				2782	3007	225				16			158	1467
608017335				3282	3507	225				18			169	1494

**Flat cable power supply**

Product number	EUR
CJE6021	72
CJE6022	80
CJE6103	90

**125 kg**  
**Without power supply**

Product number	R (m)	Rmax (mm)	Rmin (mm)	H1 (mm)	H (mm)	H2 (mm)	r (mm)	k (mm)	w (mm)	Deflection (mm)	Profile (mm)	Base plate (mm)	Weight (kg)	EUR
612512120	1	980	475	1827	2007	180	1073	165	150	2	125	B320x320 p270x270 4x22	91	1242
612512125				2327	2507	180				3			102	1269
612512130				2827	3007	180				3			114	1295
612512135				3327	3507	180				4			125	1322
612512220	2	1980	420	1827	2007	180	2073	165	150	13	125	B320x320 p270x270 4x22	99	1280
612512225				2327	2507	180				14			110	1306
612512230				2827	3007	180				15			122	1333
612512235				3327	3507	180				16			133	1360
612517320	3	2973	470	1782	2007	225	3077	200	200	12	200	B320x320 p270x270 4x22	168	1512
612517325				2282	2507	225				13			186	1555
612517330				2782	3007	225				14			205	1599
612517335				3282	3507	225				15			224	1643

**Flat cable power supply**

Product number	EUR
CJE6021	72
CJE6022	80
CJE6103	90

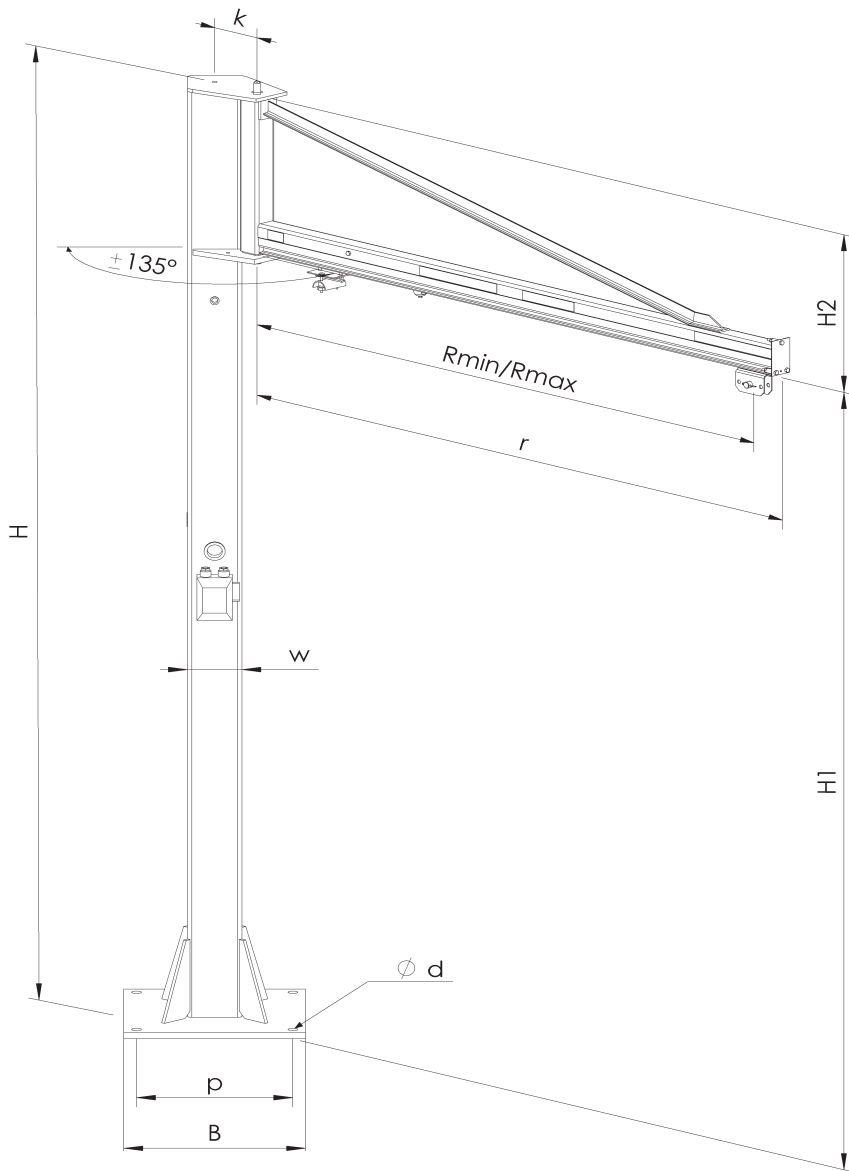
**250 kg**  
**Without power supply**

Product number	R (m)	Rmax (mm)	Rmin (mm)	H1 (mm)	H (mm)	H2 (mm)	r (mm)	k (mm)	w (mm)	Deflection (mm)	Profile (mm)	Base plate (mm)	Weight (kg)	EUR
625012120	1	980	475	1827	2007	180	1073	165	150	5	125	B320x320 p270x270 4x22	91	1242
625012125				2327	2507	180				6			102	1269
625012130				2827	3007	180				7			114	1295
625012135				3327	3507	180				8			125	1322
625017220	2	1973	420	1782	2007	225	2077	200	200	9	200	B320x320 p270x270 4x22	143	1428
625017225				2282	2507	225				10			161	1472
625017230				2782	3007	225				11			180	1515
625017235				3282	3507	225				12			199	1559
625017320	3	2973	470	1782	2007	225	3077	260	250	17	200	B500x500 p430x430 4x27	221	1662
625017325				2282	2507	225				18			245	1717
625017330				2782	3007	225				19			268	1756
625017335				3282	3507	225				20			292	1822

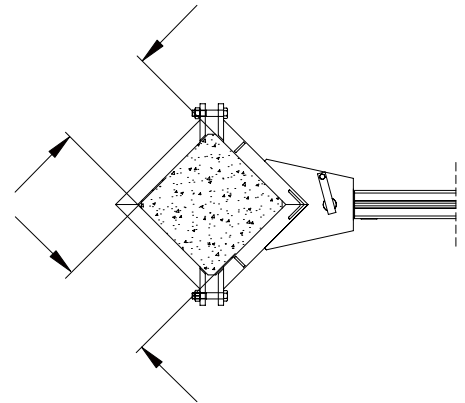
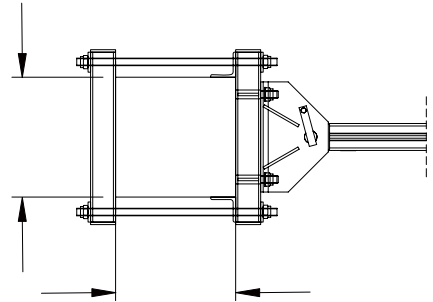
**Flat cable power supply**

Product number	EUR
CJE6021	72
CJE6102	80
CJE6103	90

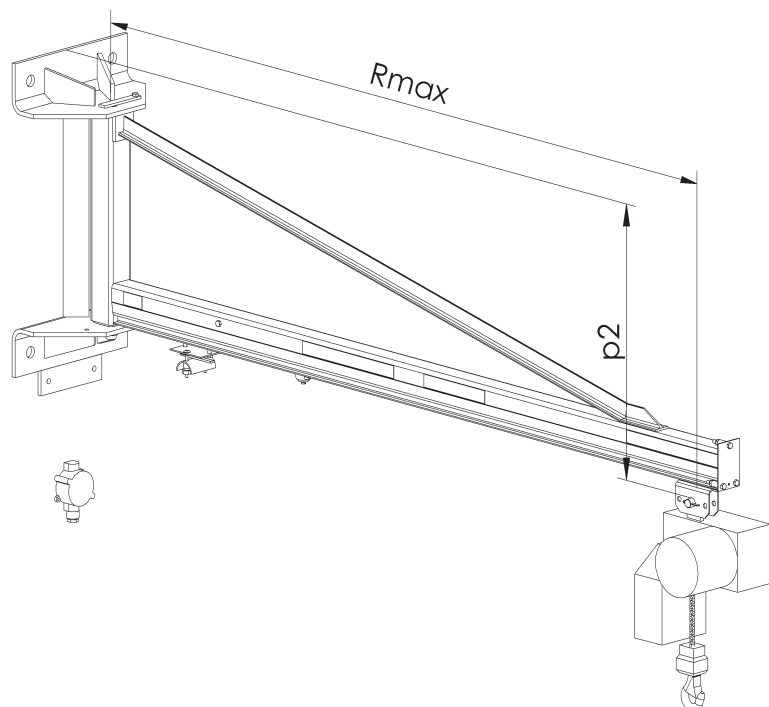
# PROSYSTEM® Wall and Column Mounted Jib Cranes



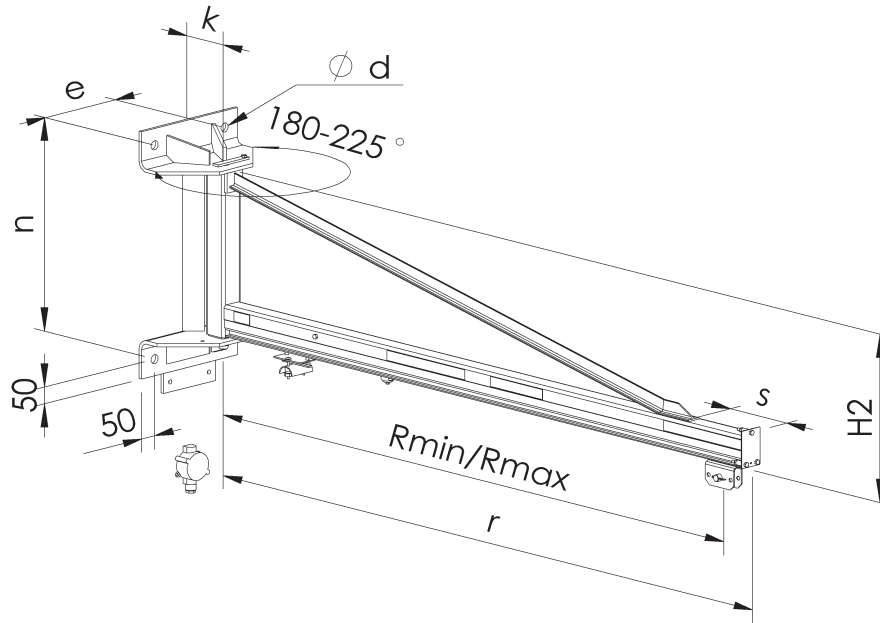
Collar suspension also available.  
Please ask for price.



Bolt cages, anchor series and jib crane suspension, see pages 30-31.



# PROSYSTEM® Wall Mounted Jib Cranes



## 125-250-500-1000-1500 kg Without power supply

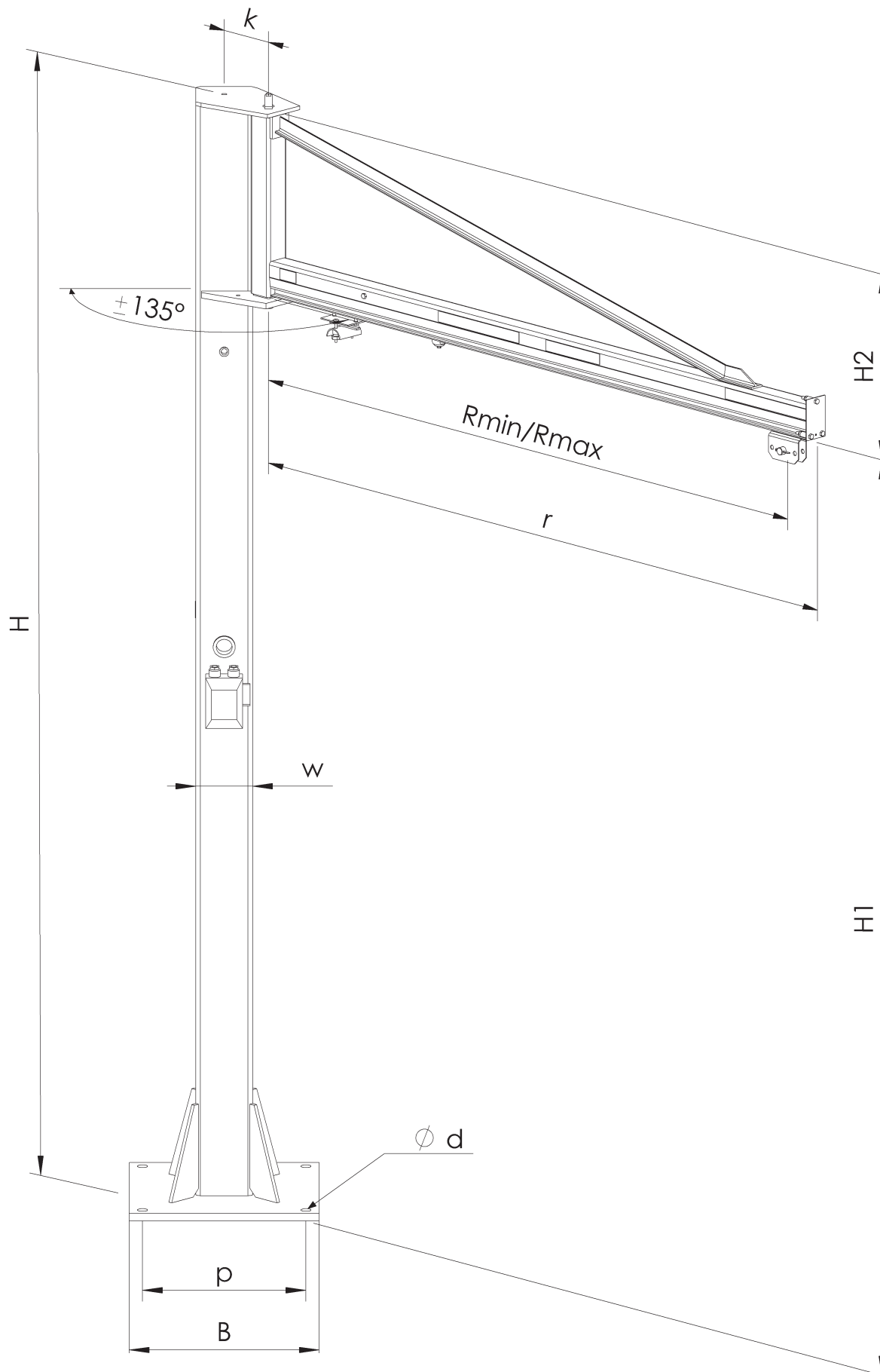
Product number	R (m)	Load (kg)	Profile	Jib								Console								EUR
				Rmax (mm)	Rmin (mm)	Troeills 1/2	r (mm)	H2 (mm)	s (mm)	Weight (kg)	k (mm)	n (mm)	e (mm)	d (mm)	Force/anchor (kN)	Weight (kg)	Total weight (kg)	Deflection (mm)		
501002	2	125	125	1940	475	1	2043	507	215	28	140	640	270	27	2,9	23	55	2	963	
502002		250	125	1940	475	1	2043	507	215	28	140	640	270	27	5	23	55	3		
505102		500	200	1967	575	1	2072	804	275	72	200	980	340	33	6,8	58	127	3		1257
501003	3	125	125	2940	535	1	3043	507	515	38	140	640	270	27	4,3	23	67	5	990	
502003		250	125	2940	535	1	3043	507	515	38	140	640	270	27	7,6	23	67	9		
505103		500	200	2967	575	1	3072	804	495	98	200	980	340	33	10	58	150	3		1326
510103		1000	200	2817	825	2	3072	804	260	110	200	980	340	33	19,4	58	167	4		1526
515103		1500	200	2817	825	2	3072	804	260	110	200	980	340	33	27,4	58	167	6		1543
501004	4	125	125	3940	575	1	4043	507	915	49	140	640	270	27	5,9	23	78	13	1028	
502024		250	125	3940	635	1	4043	507	650	63	140	640	270	27	10,8	23	83	11		
505104		500	200	3967	710	1	4072	804	710	114	200	980	340	33	13,5	58	171	7		1419
510104		1000	200	3817	965	2	4072	804	710	130	200	980	340	33	25,8	58	191	10		1579
515204		1500	260	3817	965	2	4072	1009	360	152	200	1180	340	33	31	63	219	9		1781
501025	5	125	125	4940	635	1	5043	507	960	75	140	640	270	27	7,2	23	96	11	1080	
502105		250	200	4967	660	1	5072	804	960	131	200	980	340	33	9,6	58	193	7		1474
505105		500	200	4967	770	1	5072	804	960	131	200	980	340	33	17	58	193	12		1508
510105		1000	200	4817	1015	2	5072	804	660	188	200	980	340	33	32,6	58	242	19		1792
515205		1500	260	4817	1015	2	5072	1009	460	212	200	1180	340	33	39,3	63	274	15		1927
501026	6	125	200	5967	720	1	6072	804	960	155	200	980	340	33	7,5	58	217	6	1527	
502106		250	200	5967	720	1	6072	804	960	155	200	980	340	33	11,8	58	217	11		
505106		500	200	5967	830	1	6072	804	960	177	200	980	340	33	21	58	239	15		1628
510206		1000	260	5817	1075	2	6072	1009	760	212	200	1180	340	33	33	63	279	19		1899
501107	7	125	200	6967	780	1	7072	804	1360	174	200	980	340	33	9,1	58	239	11	1580	
502107		250	200	6967	830	1	7072	804	1360	174	200	980	340	33	14,1	58	239	19		
505207		500	260	6967	935	1	7072	1009	960	235	200	1180	340	33	21,3	63	302	15		1826
501108	8	125	200	7967	780	1	8072	804	1060	198	200	980	340	33	10,8	58	265	13	1671	
502108		250	200	7967	830	1	8072	804	1060	229	200	980	340	33	17,1	58	294	19		1737
505208		500	260	7967	985	1	8072	1009	1160	264	200	1180	340	33	24,7	63	332	22		1928

## Flat cable power supply

Product number	EUR
WJE5022	57
WJE5022	
WJE5102	58
WJE5023	64
WJE5023	
WJE5103	65
WJE5103	
WJE5103	
WJE5024	71
WJE5024	
WJE5104	72
WJE5104	
WJE5104	73
WJE5104	
WJE5025	74
WJE5105	
WJE5105	83
WJE5105	
WJE5105	
WJE5106	90
WJE5106	
WJE5106	
WJE5106	
WJE5107	92
WJE5107	
WJE5107	
WJE5108	92
WJE5108	
WJE5108	



# PROSYSTEM<sup>®</sup> Column Mounted Jib Cranes



Bolt cages, anchor series and jib crane suspension, see pages 30-31.

# PROSYSTEM® Column Mounted Jib Cranes

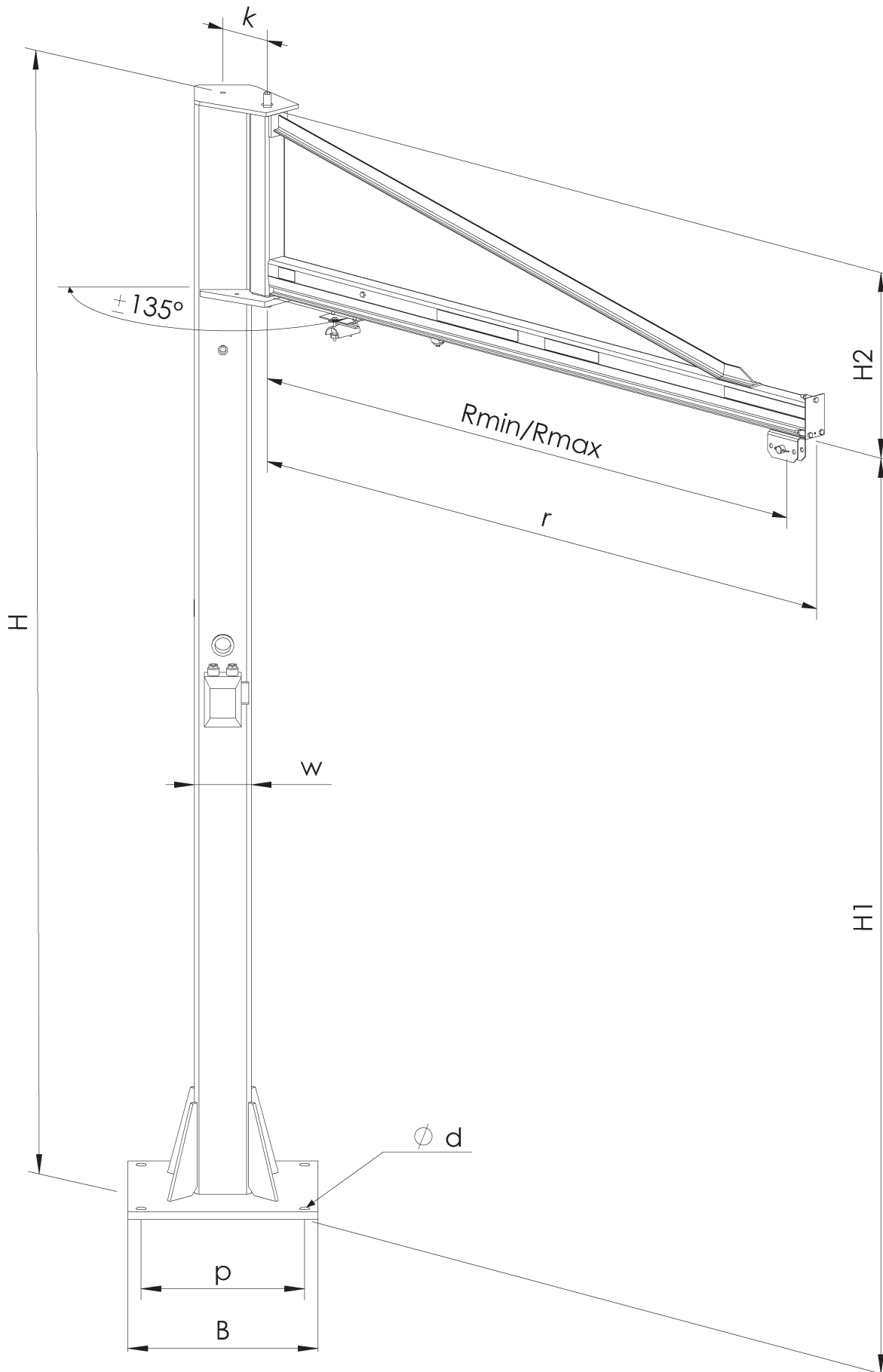
## 125 kg Without power supply

Product number	R (m)	Rmax (mm)	Rmin (mm)	H1 (mm)	H (mm)	H2 (mm)	r (mm)	k (mm)	w (mm)	Deflection (mm)	Profile (mm)	Base plate (mm)	Weight (kg)	EUR
60100225	2	1940	475	2500	3007	507	2043	165	150	9	125	B500x500 p430x430 4x27	153	1502
60100230				3000	3507					11			164	1528
60100235				3500	4007					12			175	1555
60100240				4000	4507					13			187	1581
60100245				4500	5007					14			198	1608
60100250				5000	5507					16			209	1634
60100325	3	2940	535	2500	3007	507	3043	165	150	21	125	B500x500 p430x430 4x27	165	1530
60100330				3000	3507					24			176	1556
60100335				3500	4007					26			187	1583
60100340				4000	4507					29			199	1609
60100345				4500	5007					32			210	1636
60100350				5000	5507					35			221	1662
60100425	4	3940	575	2500	3007	507	4043	200	200	23	125	B500x500 p430x430 4x27	227	1688
60100430				3000	3507					25			246	1732
60100435				3500	4007					27			266	1776
60100440				4000	4507					28			285	1851
60100445				4500	5007					30			305	1863
60100450				5000	5507					32			324	1907
60102525	5	4940	635	2500	3007	507	5043	200	200	27	125	B500x500 p430x430 4x27	245	1740
60102530				3000	3507					29			265	1784
60102535				3500	4007					32			284	1827
60102540				4000	4507					35			304	1903
60102545				4500	5007					38			323	1915
60102550				5000	5507					41			343	1958
60102625	6	5967	720	2500	3304	804	6072	260	250	17	200	B500x500 p430x430 4x27	392	2261
60102630				3000	3804					19			416	2316
60102635				3500	4304					21			440	2371
60102640				4000	4804					23			464	2426
60102645				4500	5304					25			488	2481
60102650				5000	5804					27			512	2536
60110725	7	6967	780	2500	3304	804	7072	260	250	26	200	B700x700 p580x580 8x30 20	455	2449
60110730				3000	3804					29			479	2504
60110735				3500	4304					31			503	2559
60110740				4000	4804					34			527	2614
60110745				4500	5304					36			551	2668
60110750				5000	5804					39			575	2723
60110825	8	7967	780	2500	3304	804	8072	260	250	33	200	B700x700 p580x580 8x30 20	480	2522
60110830				3000	3804					36			504	2577
60110835				3500	4304					39			528	2632
60110840				4000	4804					42			552	2687
60110845				4500	5304					46			576	2742
60110850				5000	5804					49			600	2797

## Flat cable power supply

Product number	EUR
CJE6022	80
CJE6023	89
CJE6024	98
CJE6025	100
CJE6106	108
CJE6107	116
CJE6108	118

# PROSYSTEM<sup>®</sup> Column Mounted Jib Cranes



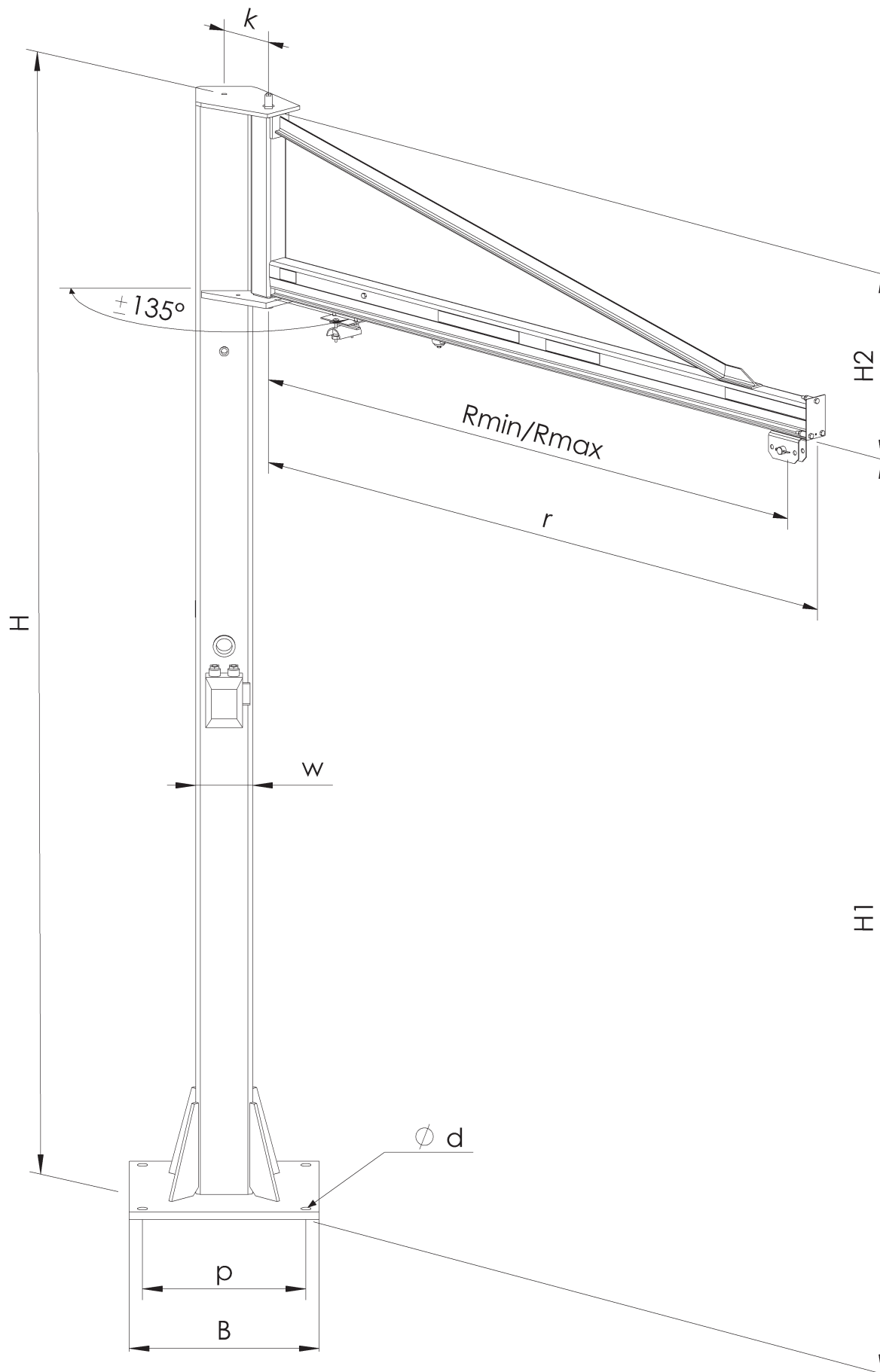
Bolt cages, anchor series and jib crane suspension, see pages 30-31.

# PROSYSTEM<sup>®</sup> Column Mounted Jib Cranes

250 kg Without power supply														
Product number	R (m)	Rmax (mm)	Rmin (mm)	H1 (mm)	H (mm)	H2 (mm)	r (mm)	k (mm)	w (mm)	Deflection (mm)	Profile (mm)	Base plate (mm)	Weight (kg)	EUR
60200225	2	1940	475	2500	3007	507	2043	165	150	17	125	B500x500 p430x430 4x27	153	1502
60200230				3000	3507					20			164	1528
60200235				3500	4007					23			175	1555
60200240				4000	4507					25			187	1581
60200245				4500	5007					28			198	1608
60200250				5000	5507					30			209	1634
60200325	3	2940	535	2500	3007	507	3043	200	200	21	125	B500x500 p430x430 4x27	216	1650
60200330				3000	3507					23			235	1694
60200335				3500	4007					25			255	1738
60200340				4000	4507					27			274	1813
60200345				4500	5007					29			294	1825
60200350				5000	5507					30			313	1869
60202425	4	3940	635	2500	3007	507	4043	260	250	21	125	B500x500 p430x430 4x27	269	1777
60202430				3000	3507					22			293	1832
60202435				3500	4007					24			317	1887
60202440				4000	4507					26			341	1942
60202445				4500	5007					28			365	1997
60202450				5000	5507					30			389	2052
60210525	5	4967	660	2500	3304	804	5072	260	250	23	200	B500x500 p430x430 4x27	368	2191
60210530				3000	3804					25			392	2246
60210535				3500	4304					28			416	2301
60210540				4000	4804					31			440	2356
60210545				4500	5304					33			464	2411
60210550				5000	5804					36			488	2466
60210625	6	5967	720	2500	3304	804	6072	260	250	33	200	B700x700 p580x580 8x30 20	433	2378
60210630				3000	3804					37			457	2433
60210635				3500	4304					29			526	2609
60210640				4000	4804			31	555	2676				
60210645				4500	5304			34	584	2743				
60210650				5000	5804			36	613	2810				
60210725	7	6967	830	2500	3309	809	7072	295	300	37	200	B700x700 p580x580 8x33 25	508	2584
60210730				3000	3809					40			537	2651
60210735				3500	4309					43			566	2718
60210740				4000	4809					46			595	2786
60210745				4500	5309					38			806	3411
60210750				5000	5809					40			851	3527
60210825	8	7967	830	2500	3309	809	8072	295	300	42	200	B700x700 p580x580 8x33 25	562	2740
60210830				3000	3809					46			591	2802
60210835				3500	4309					39			769	3331
60210840				4000	4809					41			815	3447
60210845				4500	5309					44			860	3562
60210850				5000	5809					46			905	3678

Flat cable power supply	
Product number	EUR
CJE6022	80
CJE6023	89
CJE6024	98
CJE6105	101
CJE6106	108
CJE6107	116
CJE6108	118

# PROSYSTEM<sup>®</sup> Column Mounted Jib Cranes



Bolt cages, anchor series and jib crane suspension, see pages 30-31.

# PROSYSTEM® Column Mounted Jib Cranes

## 500 kg Without power supply

Product number	R (m)	Rmax (mm)	Rmin (mm)	H1 (mm)	H (mm)	H2 (mm)	r (mm)	k (mm)	w (mm)	Deflection (mm)	Profile (mm)	Base plate (mm)	Weight (kg)	EUR
60510225	2	1967	575	2500	3304	804	2072	220	200	15	200	B500x500 p430x430 4x27	265	1885
60510230				3000	3804					16			285	1929
60510235				3500	4304					18			304	1973
60510240				4000	4804					20			324	2017
60510245				4500	5304					21			343	2060
60510250				5000	5804					23			363	2104
60510325	3	2815	575	2500	3304	804	3072	260	250	19	200	B500x500 p430x430 4x27	324	2042
60510330				3000	3804					21			348	2097
60510335				3500	4304					23			372	2152
60510340				4000	4804					25			396	2207
60510345				4500	5304					27			420	2262
60510350				5000	5804					29			444	2317
60510425	4	3967	710	2500	3304	804	4072	295	300	19	200	B700x700 p580x580 8x30 25	422	2366
60510430				3000	3804					22			451	2433
60510435				3500	4304					24			480	2501
60510440				4000	4804					26			509	2568
60510445				4500	5304					28			538	2635
60510450				5000	5804					30			567	2702
60510525	5	4967	770	2500	3309	809	5072	295	300	31	200	B700x700 p580x580 8x33 25	462	2511
60510530				3000	3809					34			491	2578
60510535				3500	4309					28			669	3108
60510540				4000	4809					30			715	3223
60510545				4500	5309					32			760	3339
60510550				5000	5809					34			805	3454
60510625	6	5967	830	2500	3309	809	6072	295	300	32	200	B700x700 p580x580 8x33 25	624	2997
60510630				3000	3809					35			669	3112
60510635				3500	4309					38			714	3228
60510640				4000	4809					41			760	3343
60510645				4500	5309					44			805	3459
60510650				5000	5809					46			850	3574
60520725	7	6967	935	2500	3509	1009	7072	295	300	38	260	B700x700 p580x580 8x33 25	704	3245
60520730				3000	4009					42			749	3360
60520735				3500	4509					36			871	4280
60520740				4000	5009			39	924	4480				
60520745				4500	5509			41	977	4680				
60520750				5000	6009			44	1030	4880				
60520825	8	7967	985	2500	3509	1009	8072	340	350	42	260	B700x700 p580x580 8x33 25	795	3981
60520830				3000	4009					46			848	4181
60520835				3500	4509					49			901	4381
60520840				4000	5009			44	1027	4900				
60520845				4500	5509			46	1088	5137				
60520850				5000	6009			48	1149	5374				

## Flat cable power supply

Product number	EUR
CJE6102	81
CJE6103	90
CJE6104	99
CJE6105	101
CJE6106	108
CJE6107	116
CJE6108	118